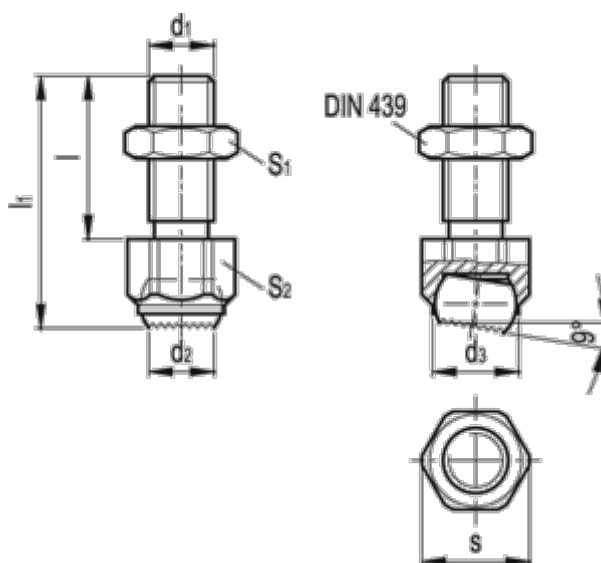


Article number: 20256405B

Description: E+G Clamping pad
GN 709.3-17-M10-R

Measures



d1	= M10	S2	= 17
d2	= 8.6	Weight (g)	= 55
d3	= 12.0		
l	= 30		
l1	= 45.7		
Max static load (KN)	= 8		
s	= 19		
S1	= 17		